

Standard Preparation 1200x500 mm Soaking Sink with 1 Bowl

ITEM # _____

MODEL # _____

NAME # _____

SIS # _____

AIA # _____



132815 (VLP1401SPN) Soaking sink unit with 1 bowl
(1280x510x340mm), 1400mm

Short Form Specification

Item No.

Made from 304 AISI stainless steel. The 50mm high worktop in 304 AISI stainless steel, 1mm in thickness, has an overflow rim. Integral radiused rear upstand, h=100mm. All-round apron. Square section legs 40x40mm on 1" height-adjustable feet. Bowl with overflow pipe, filter and drain hole.

Main Features

- Sturdiness, stability and reliability of table accurately tested.

Construction

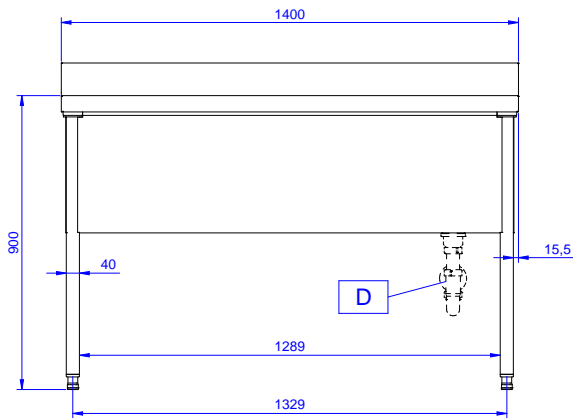
- 50 mm worktop in 304 AISI stainless steel, 10/10 in thickness with overflow rim along the top.
- Square section legs and 40 mm height-adjustable feet in 304 AISI stainless steel.
- Sink tops easily slotted onto the legs and taps are easily installed from the rear.
- Bowl with rounded internal corners supplied as standard with an overflow pipe with filter and a drain hole. Bowl base inclined towards the drain outlet.
- Wide range of taps are available to suit every need.
- 100 mm upstand with 10 mm radiused corner and 13 mm deep, designed to be used against a wall.
- Pan washing support to use inside the bowl is available as an accessory.

Optional Accessories

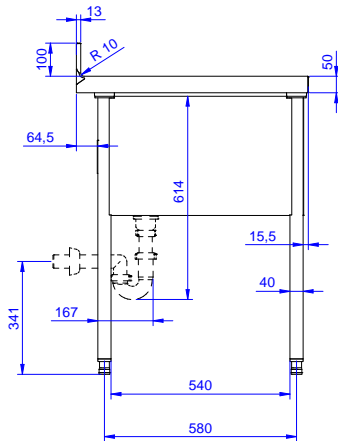
- Lower shelf for 1400mm tables PNC 855146
and sinks
- Set of 4 wheels (2 with brake) PNC 855150
d. 100mm for tables and sinks
(total height on wheels= 993 mm)
- 3-sided underframe for PNC 855153
1400mm tables
- Elbow operated mixer tap with PNC 855322
spout, 3/4" single hole
- Elbow operated mixer tap short PNC 855323
spout, 3/4" single hole
- Foot operated Mixer tap with PNC 855328
spout & with hot&cold pedals,
3/4"
- Single plastic drain syphon 2 PNC 895313
" for sinks

APPROVAL: _____

Front

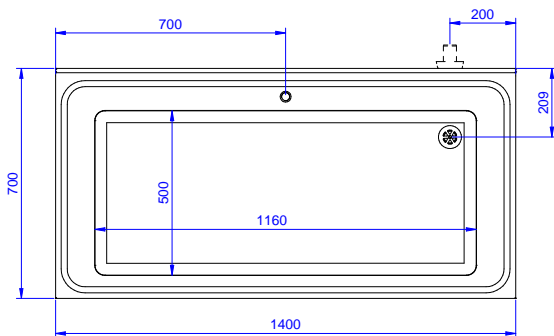


Side



D = Drain

Top



Key Information:

External dimensions, Width:

132815 (VLP1401SPN) 1400 mm

External dimensions, Depth:

700 mm

External dimensions, Height:

1000 mm

Upstand Dimensions, Height:

100 mm

Upstand Dimensions, Depth:

13 mm

Upstand Dimensions, Radius:

R=10

Bowls number

1

Bowl dimensions

1160x500xH400

Worktop thickness:

50 mm

Net weight:

60 kg